

A110CY1A COMPRESSOR

TECHNICAL SPECIFICATION



HUANGSHI DONPER COMPRESSOR CO., LTD.

2021.3

INDEX

	Page
1. Compressor Type.....	2
2. Performance Data.....	2
3. Running Condition.....	2
4. Compressor Mechanical Information.....	3
5. Compressor Shape.....	3
6. Wiring Diagram.....	4
7. Fixing of mounting bracket and cabinet base.....	4
8. Combo starting relay and overload protector.....	5
9. Delivery State.....	6
10. Package、 Storage and Transportation.....	6
11. Technical Items.....	7

1. Compressor Type

Compressor model	A110CY1A
Rated voltage/frequency	220-240V~50Hz
Refrigerant	R600a
Application	Low back pressure (LBP)
Cooling method	Static
Start torque	Low starting torque (LST)
Control device	Capillary tube
Motor type	RSIR
Running capacitor	/
Starting capacitor	/

2. Performance Data

Displacement	Net Wt.	Oil Charge	Cooling Capacity(≥95%)								COP(≥95%)		
			ASHRAE								CECOMAF	ASHRAE	CECOMAF
			-35	-30	-25	-23.3	-20	-15	-10	-25	-23.3	-25	
cm ³	kg	ml	w	w	w	w	w	w	w	w	w/w	w/w	
7.2	5.3±0.4	140±10	66	81	95	115	128	152	175	87	1.35	1.06	

Note: These datas come from the test without a PTC relay

Testing condition:

Test conditions	LBP	
	ASHRAE	CECOMAF
Evaporating Temp.	-23.3°C	-25°C
Ambient Temp.	+32.2°C	+32°C
Condensing Temp.	+54.4°C	+55°C
Suction Temp.	+32.2°C	+32°C
Subcooling Temp.	+32.2°C	+55°C

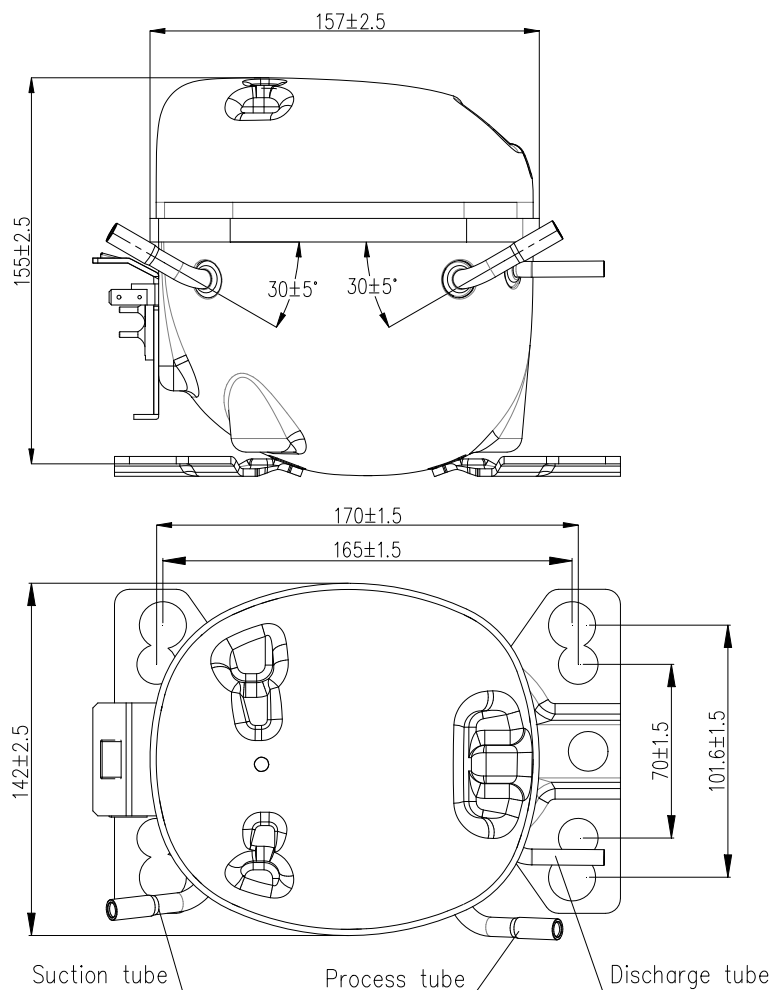
3. Running Condition

Ambient temp.	0~43°C
Evaporating temp.	-35~-15°C
Voltage range	187~254V
Max. condensing temp.	65°C
Max. winding temp.	120°C
Max. shell temp.	95°C
Max. discharge temp.	110°C
Start voltage	187V [0.3/0.3MPa(abs)]
Shell min. resistance to pressure	35bar

4. Compressor Mechanical Information

Oil type	Synthetic oil
Viscosity	4.2~6.4mm ² /s(40℃)
Oil charged	140±10ml
Diameter of suction tube (I.D.)	Φ 6.2 ± 0.1mm
Diameter of discharge tube(I.D.)	Φ 4.95 ± 0.1mm
Diameter of process tube (I.D.)	Φ 6.2 ± 0.1mm
Material of suction tube, process tube and discharge tube	Copper tube
Compressor noise	39dB(A)
Vibration	0.6m/s ²
Protecting gas	Dry com.air (Dew point-60℃)

5. Compressor Shape

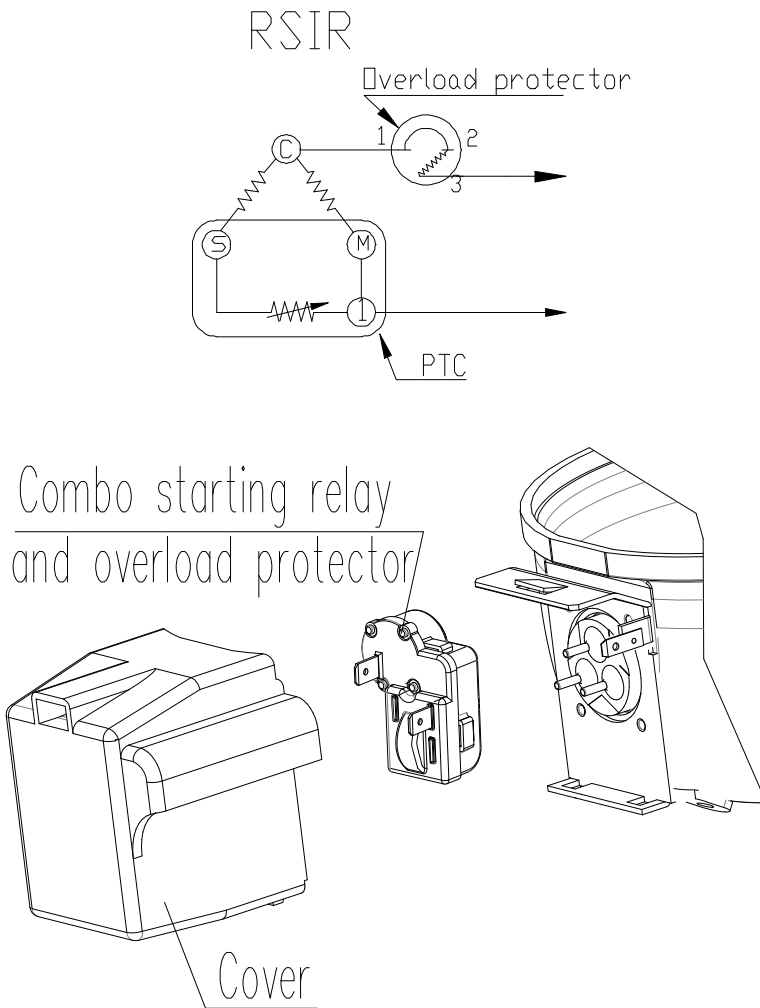


Caution:Suction tube and process tube can not be exchanged

Unmarked tolerance: ± 5mm

Unmarked Angle: ± 10°

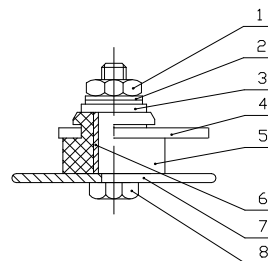
6. Wiring Diagram



Note: Each of the combo starting relay and overload protector、 the cover is separately provided by our company.

7. Fixing of mounting bracket and cabinet base

- 1、 Hexagon nut
- 2、 Spring washer
- 3、 Flat washer
- 4、 Compressor mounting bracket
- 5、 Rubber grommet
- 6、 Sleeve
- 7、 Cabinet base
- 8、 Screw

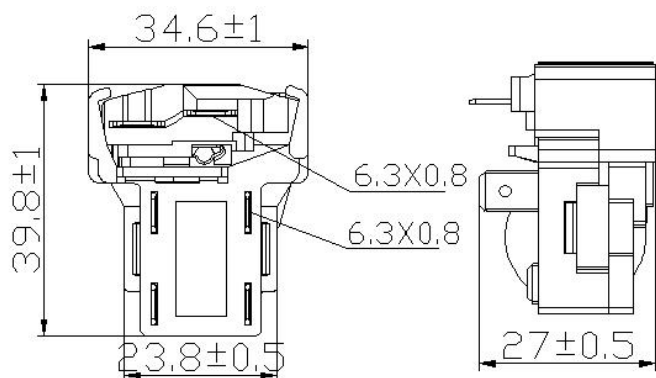


Note: Equipment assembly is all provided by our company. Above is just for reference, details can refer to delivery state.

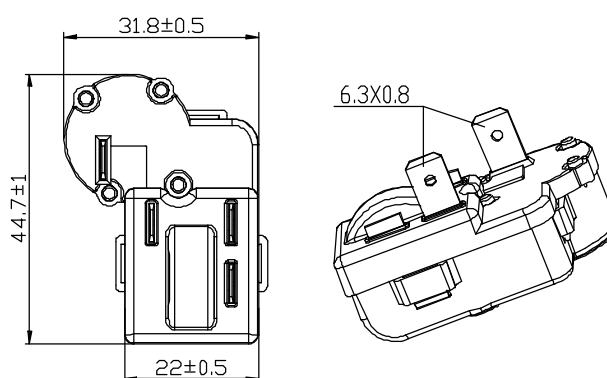
8. Combo starting relay and overload protector

Model		QPS2-B15MG1+DRB18N61A2	ZHB45-120P15	JPQII-15 BK+BT45-120
Supplier		Hangzhou Star shuaier Electric Appliance Co.,Ltd.	Changshu Tianyin Electromechanical Co.,Ltd.	Lanxi City Yueqiang Electric Co.,Ltd.
Starting relay	Resistance Ω	15±20%		
	Run time S	0.2~1.5		
	Reset time S	≤100		
	Max working voltage V	350		
	Max current A	8		
Protector	Max.T.C Amp.(25°C) A	4.5		
	Trip time S	5~15		
	Reset time S	30~180		
	Open temp. ±5°C	120	125	120
	Close temp. ±9°C	61	57	61

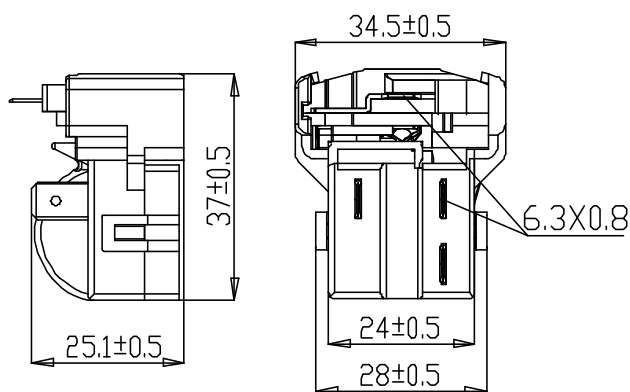
QPS2-B15MG1+DRB18N61A2



ZHB45-120P15



JPQII-15 BK+BT45-120



9. Delivery State

No.	Name	Model	Quantity	CODE
1	Compressor	A110CY1A	1pcs	
2	Rubber plug	Φ6.4	1pcs	
3		Φ8.2	2pcs	
4	Rubber grommet	QET-03U	4pcs	
5	Combo Starting relay and Overload protector	QPS2-B15MG1+ DRB18N61A2	1pcs	Hangzhou Star shuaier Electric Appliance Co.,Ltd.
		ZHB45-120P15		Changshu Tianyin Electromechanical Co.,Ltd.
		JPQII-15 BK +BT45-120		Lanxi City Yueqiang Electric Co.,Ltd.
6	Relaying cover	A1	1pcs	
7	Anchor bolt assembly	M6×30	4pcs	
8	Sleeve	φ11.1×17	4pcs	
9	Nut	M6	4pcs	

Notes:1.All electrical parts and equipment assembly are supplied separately, not installed on the compressor.

2.All electrical parts and equipment assembly according to “Delivery state”are all provided by our company.

10. Package、Storage and Transportation

Package type	unrecyclable
Quantity	100pcs/box
Transportation	By sea
Storage	Max. 2 layers
Cross Weight	Kg 565±40
Net Weight	Kg 530±40
Volume	m ³ 1.08
Dimension: length×width×height	cm 112×89×108
Main components	Wooden supporter、upper wooden cover、foam divider、plastic sheet、cardboard cover、rain-proof cover、wrapping
Movement	Keep the compressor in normal or vertical position
Trans. test requirement	No allowable compressor’s damage and performance loss.

11. Technical Items

- (1)、 Don't take off the rubber plugs before using and installing compressor to prevent dust and moisture.
- (2)、 Don't turn down or incline the compressor during storage, transportation or installation and avoid vibration and shock.
- (3)、 The compressor must be kept horizontally during running, the inclination angle must be less than 5°.
- (4)、 A special polyester oil is charged in the R600a compressor and the charging volume has been optimized by DONPER. Don't pour out or add any refrigerant oil.
- (5)、 The interval of compressor operation must be more than 4 minutes in order to obtain a pressure balance in the systems.
- (6)、 Don't start or run in the case of vacuum or charge high voltage in the compressor. The compressor cannot be used to vacuumize the refrigeration system.
- (7)、 The design of refrigeration system must be suitable to insure the oil could flow back to compressor.
- (8)、 The maximum ambient temperature of the compressor operation is 43°C. When continuously operating under the maximum ambient temperature 43°C, the condensing pressure and the peak pressure should not exceed as showing in the following table.

Refrigerant	R600a
Max. condensing pressure	0.87MPa
Peak	0.98MPa

- (9)、 Widen the evaporating Temp. range of the compressor should be approved by DONPER.
- (10)、 Compressor should be stored in a dry place.
- (11)、 Compressor accessories (eg: starting relay, overload protector etc.) are put in the accessories box instead of fixing on the compressor.
- (12)、 The stocking period must be less than 6 months after the date of production. If longer, you have to check whether the filled gas is sufficient. Replenishment must be done if necessary.
- (13)、 It's necessary to keep the compressor without rubber plug as short time as possible (max time 10 min).
- (14)、 R600a systems require a filter with drying agent which suitable for R600a refrigerant
- (15)、 The vacuum pump and the charging system must only be dedicated to R600a.
- (16)、 The refrigeration system should minimize the content of chlorine and moisture, and must be free of paraffin and silicon oil.
- (17)、 The organic substance non-compatible with R600a cannot be used in the refrigeration system.